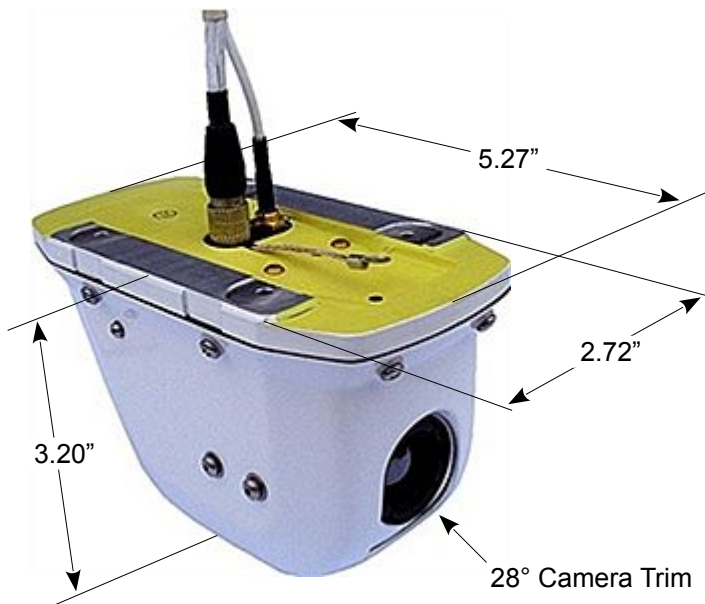


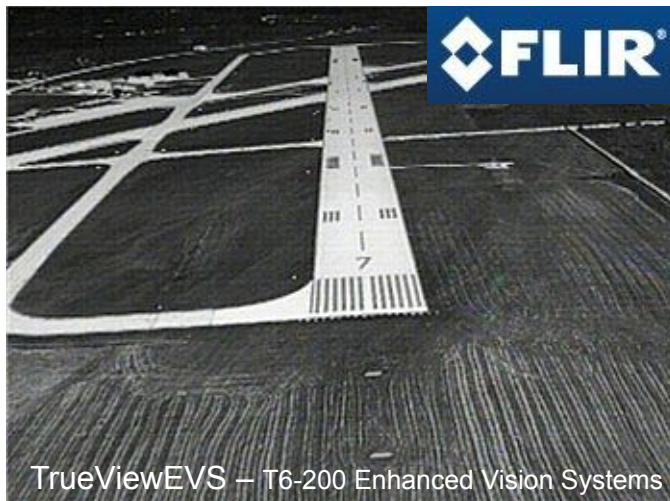
## T6-200

### Enhanced Vision Systems

Infrared Thermal Imaging  
for general aviation aircraft



A small, compact and affordable solution for infrared thermal imaging for general aviation aircraft. The camera assembly can be mounted on a wide range of airframes including both fixed and rotary wing platforms.



Fly with a higher level of confidence and operational safety with the T6-200 day or night. The imager not only displays real time spatial orientation but enables the pilot to witness any airport activity in advance of the final approach.

- Real time streaming infrared video day or night
- Displays what Synthetic Vision cannot
- High resolution sensor (640 x 480)
- Analog video output (NTSC or PAL)
- Inflight camera trim control to 28°
- Tested to DO-160G levels
- No training or maintenance required
- Approved for single pilot use

#### Performance

Thermal Imager:	Uncooled VOx Microbolometer
Display Format:	640 x 480 (NTSC)
Frame Rate:	30 Hz, fast frame (NTSC)
Time to Image:	<3.5 sec (cold start)
Camera Lens:	19mm, Hard Coated
Field of View:	32° Horiz x 26° Vert
Sweep Range:	0 - 28° Vert: forward looking

#### Physical Properties

Turret Housing:	S-2 Glass Composite
Transition Plate:	Glass Impregnated Laminate
Opt Temp Range:	-40°C to +80°C
Temp Shock:	5 degrees / min
Operational Alt:	Opt test to 16,000' @ 160 mph
Vibration:	4.3g (three axis, 8 hrs ea)
Shock	200g shock pulse, (11 msec)
Environmental:	Sealed to IP-67 (nitrogen purge)

#### Specifications

Input Power:	340ma @ 12VDC (0.34amp) 170ma @ 24VDC (0.17amp)
EMI/RFI Protection	YES (fully shielded housings)
Lightening Strike Protection	YES (rapid discharge path)
Dimensions:	5.27" L – 2.72" W – 3.20" H
Weight:	1 lb (as viewed above)
STC Certification:	Bell 407 & GX, Sikorsky S76

#### Features

Mounting Configuration:	Direct to flat honeycomb structures or factory designed extension plate
Wiring Harness:	Fully assembled to camera, user defines video termination
Sweep Control:	Inflight pilot trim control, electric servo operated
Mounting Hardware:	Everything included
Maintenance:	On Condition