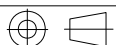


Paul A. Randazzo

DWG No: T6-S76-L1-04

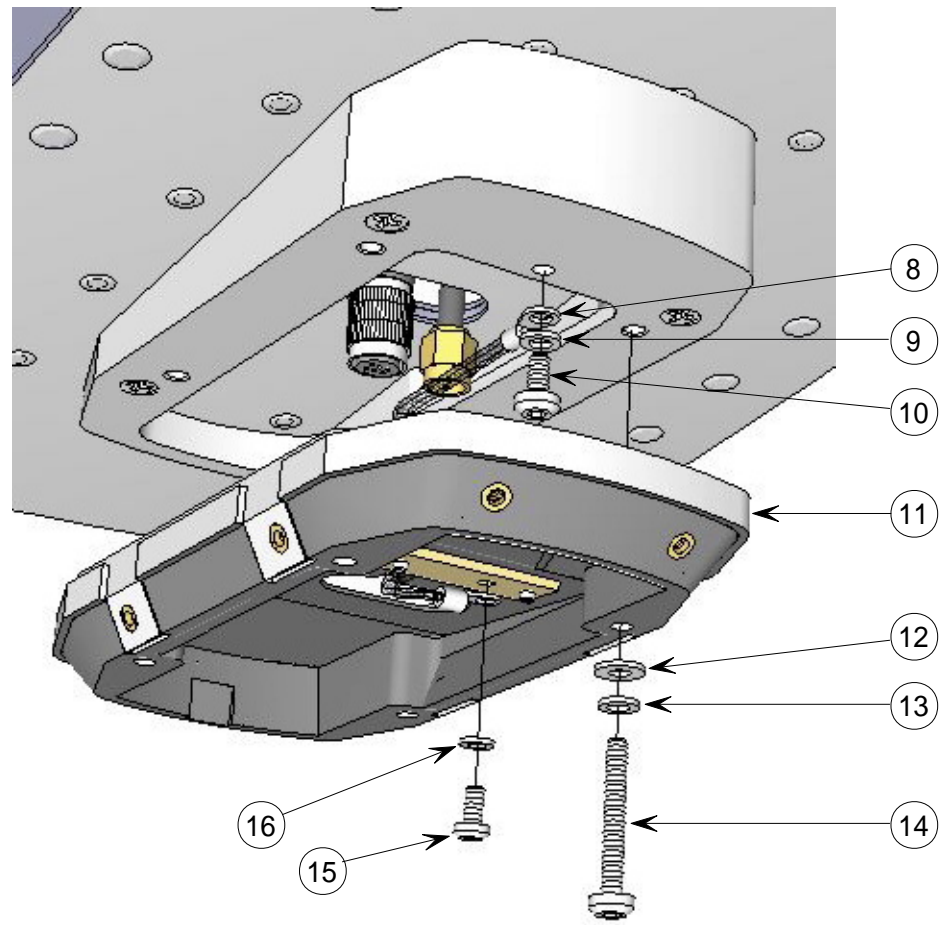
THIRD ANG PROJ:
SCALE: NONE



REVISIONS			
REV	DESCRIPTION	APR	DATE
A	INITIAL RELEASE	RA.R	07-10-2016

Approved Date 07-10-2016

Do Not Scale Drawing



INSTALL BONDING STRAP (ITEM 8) TO EXTENSION PLATE FIRST WITH LOCK WASHER AND SCREW (ITEMS 9 & 10).

INSTALL TRANSITION PLATE (ITEM 11) TO EXTENSION PLATE WITH WASHER, LOCK WASHER AND SCREW (ITEMS 12, 13 & 14).

SECURE BONDING STRAP TO TRANSITION PLATE WITH SCREW AND LOCK WASHER (ITEMS 15 & 16).

SIKORSKY S76A, S76B, S76C

ITEM	DESCRIPTION	TV P/N	SPECIFICATION	QTY
16	LOCK WASHER	T6-260-23	#4, SS	1
15	SCREW	T6-260-22	4-32 X 3/16, SS	1
14	SCREW	T6-210-09	6-32 X 0.91L, SS	4
13	LOCK WASHER	T6-210-16	#6, SS	4
12	WASHER, MOD	T6-210-17	SPECIAL	4
11	TRANSITION PLT	T6-50212	12407-10A030-01	1
10	SCREW 6-32	T6-260-24	6-32 X 3/16, SS	1
9	LOCK WASHER	T6-260-25	#6, SS	1
8	BONDING STRAP	T6-260-16	---	1

INSTALLATION DRAWING

CAD CHANGES SHALL BE INCORPORATED BY DESIGN ACTIVITY

TrueView EVS
www.trueviewevs.com
Sackets Harbor, N.Y.

PROPRIETARY NOTICE: THE INFORMATION CONTAINED IN THIS DRAWING IS THE SOLE PROPERTY OF TrueView EVS LLC AND IS NOT TO BE USED, REPRODUCED OR DISCLOSED IN WHOLE OR IN PART TO ANYONE WITHOUT THE WRITTEN PERMISSION OF TrueView EVS LLC