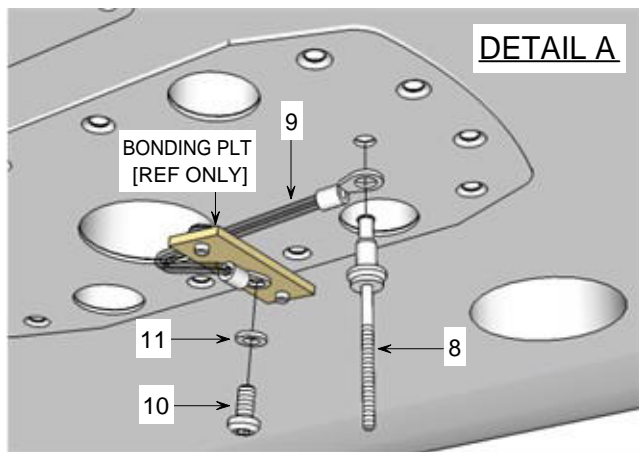


NOTES: REF: DWG NO. T6-200-00 FOR SYSTEM P/N.

- 1- RECOMMENDED INSTALLATION AS SHOWN.
- 2- SEE APPROPRIATE INSTALL MANUAL FOR LOCATION AND DRILLING PATTERNS.
- 3- INNER DOUBLER DIMENSIONS = 1" I.D. X 3" O.D.
- 4- OUTER DOUBLER DIMENSIONS = T6 FOOTPRINT
- 5- DOUBLER SHALL BE BONDED TO A/F SKIN.
- 6- REMOVE ALL PAINT FROM ALL CONTACT SURFACES PRIOR TO BONDING TO SKIN.
- 7- DOUBLER SHALL BE RIVETED TO A/F SKIN.
- 8- APPLY RTV102 OR 108 SEALANT AROUND ENTIRE MATING SURFACES AFTER INSTALLATION.
- 9- BASED ON A FLAT SURFACE REGION AND A LEVEL REFERENCE POSITION TO HORIZON.

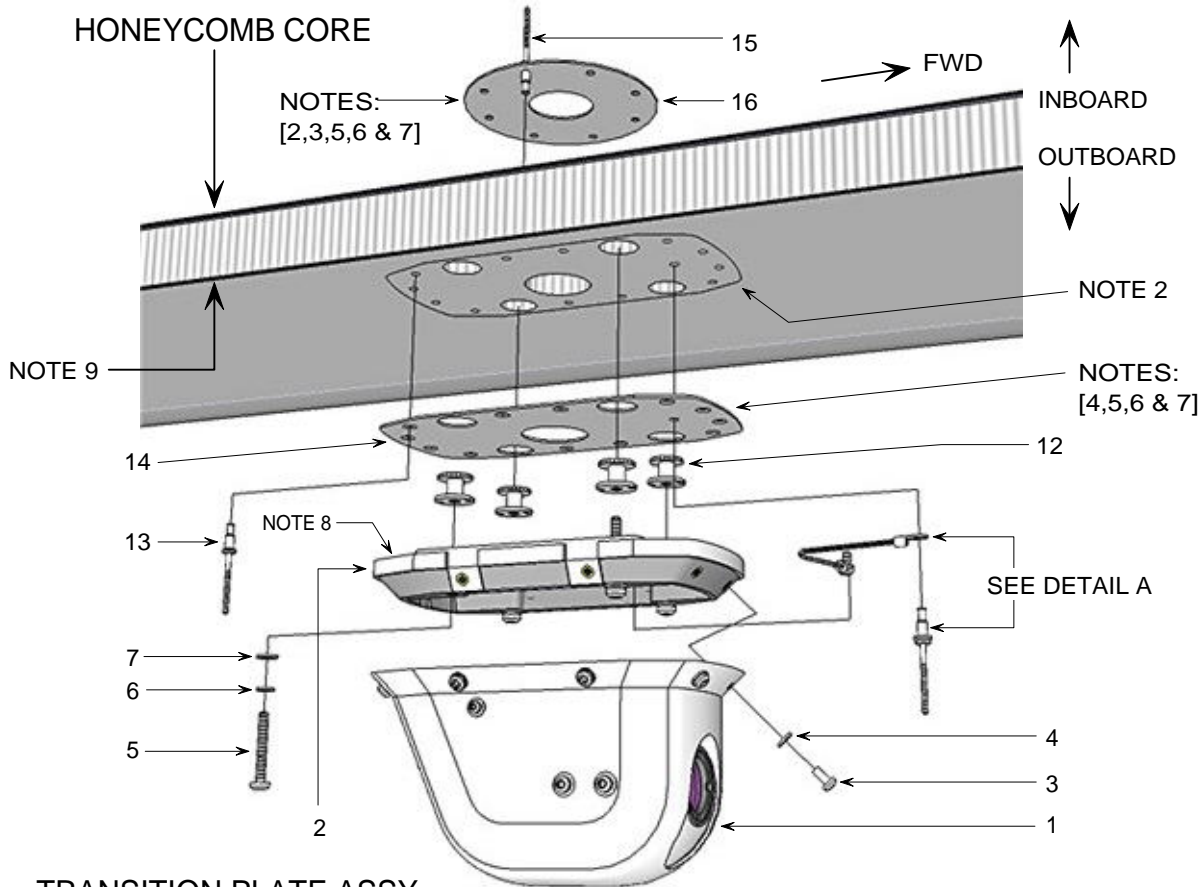


* WASHER I.D. ADJUSTED TO 0.136" (# 29)
 ** For skin (grip) thicknesses up to 0.062", increase dash # as req'd.

Paul A. ...
 Approved Date 03-06-2011

DWG No: T6-60201
 THIRD ANG PROJ: SCALE: NONE
 Do Not Scale Drawing

| REVISIONS | | | |
|-----------|-----------------|-----|------------|
| REV | DESCRIPTION | APR | DATE |
| A | INITIAL RELEASE | RAR | 03-06-2011 |



TRANSITION PLATE ASSY
 TYPICAL INSTALLATION

INSTALLATION DRAWING

| Item | Description | Part Number | Ref: DWG | Qty |
|------|---------------------------|-------------|-------------------|-----|
| 16 | INNER DOUBLER | | 2024-T3, 0.032" T | 1 |
| 15 | RIVET (UNIVERSAL) | | CR3213-4-2 | 8 |
| 14 | OUTER DOUBLER | NOTE 1 | 2024-T3, 0.040" T | 1 |
| 13 | RIVET (COUNTERSINK) | | CR3212-4-2 | 12 |
| 12 | POTTING INSERT | | NAS1832 SERIES | 4 |
| 11 | LOCKWASHER | T6-260-23 | # 4 SS | 1 |
| 10 | SCREW | T6-260-22 | 4-40 x 3/16" SS | 1 |
| 9 | BONDING STRAP | T6-260-16 | T6-260-16 | 1 |
| 8 | RIVET** | T6-260-20 | CR3243-4-1** | 1 |
| 7 | WASHER* | T6-210-17* | T6-210-17 | 4 |
| 6 | LOCKWASHER (# 6) | T6-210-16 | T6-210-16 | 4 |
| 5 | SCREW (6-32 X 1') | T6-210-09 | T6-210-09 | 4 |
| 4 | WASHER | T6-210-14 | # 4 NYLON | 8 |
| 3 | SCREW | T6-210-13 | 4-40 x 5/16" SS | 8 |
| 2 | TRANSITION PLATE ASSEMBLY | T6-50212 | T6-50212 | 1 |
| 1 | CAMERA ASSEMBLY | T6-50205-B | T6-50205 | 1 |

PROPRIETARY NOTICE: THE INFORMATION CONTAINED IN THIS DRAWING IS THE SOLE PROPERTY OF TrueView EVS LLC AND IS NOT TO BE USED, REPRODUCED OR DISCLOSED IN WHOLE OR IN PART TO ANYONE WITHOUT THE WRITTEN PERMISSION OF TrueView EVS LLC

| | | | | | | |
|---|---|--|---------------------|--|-----------|---------------|
| UNLESS OTHERWISE SPECIFIED All dimensions are in inches and tolerances are as follows: | MATERIAL: NOT SPECIFIED | APPROVAL | DATE | TrueView EVS www.trueviewevs.com Sackets Harbor N.Y. | | |
| | | DFT: R. RANDAZZO | 03-06-2011 | | | |
| DECIMALS: ① +/- .030" ② +/- .040" ③ +/- .050" | FINISH: NOT SPECIFIED | CHK: | | TITLE T6-INSTALL_TRANSITION | | |
| | | ENG: | | PART No: SEE NOTES | | |
| | | APR: | | | | |
| ANGLES: +/- 1.0° | CAD FILE: T6-200-3D TRANSITION_INSTALL | CAD CHANGES SHALL BE INCORPORATED BY DESIGN ACTIVITY | DWG No. T6-60201 | REV A | SIZE A | |
| | MFG PART No. | REF DWG No. T6-200-00 | SCALE: NONE | WT: N/A | PROJ: | SHEET: 1 OF 1 |