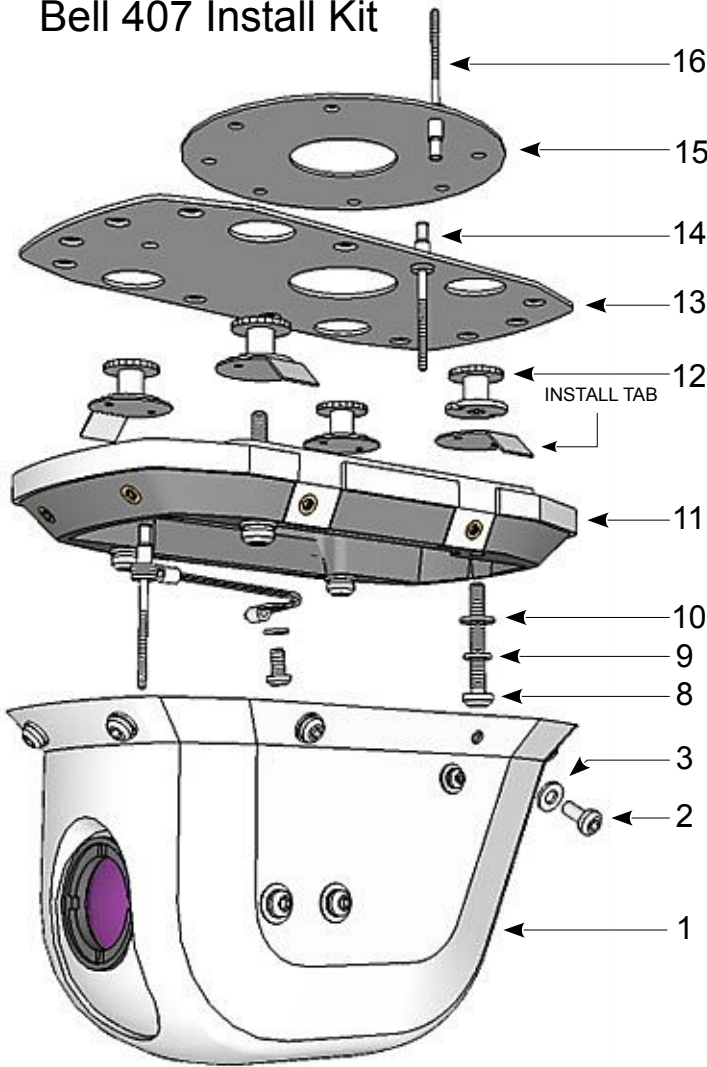
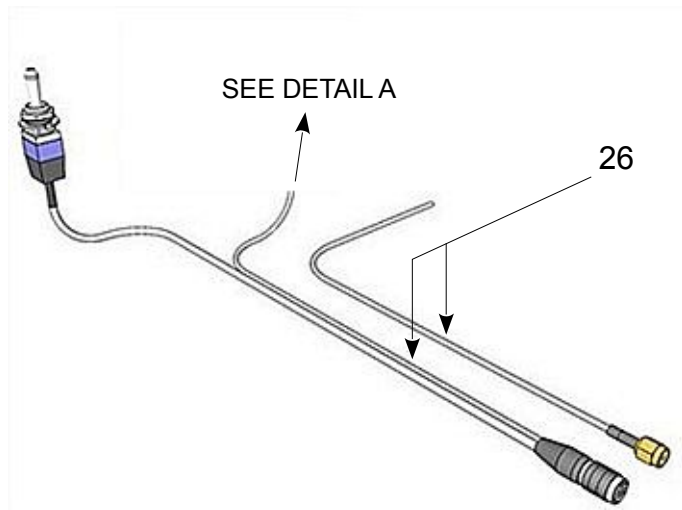
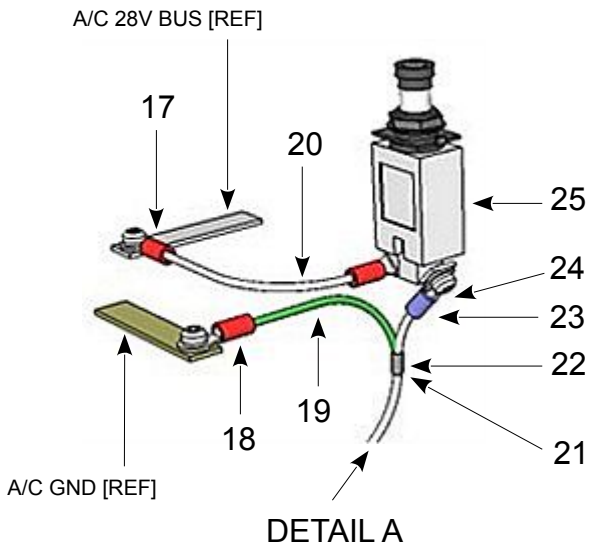


Bell 407 Install Kit



DESCRIPTION	QTY	PART NO.	CK
1- CAMERA ASSEMBLY.....	1	12407-10A010	X
2- RETAINING SCREWS (4-40)....	8	T6-210-13.....	X
3- NYLON WASHERS (# 4).....	8	T6-210-14.....	X
4- CHERRYMAX RIVET.....	1	T6-260-20.....	X
5- BONDING STRAP.....	1	T6-260-16.....	X
6- SCREW (4-40 x 3/16").....	1	T6-260-22.....	X
7- LOCK WASHER (# 4).....	1	T6-260-23.....	X
8- RETAINING SCREWS (6-32)....	4	T6-210-09.....	X
9- LOCK WASHER (# 6).....	4	T6-210-16.....	X
10- WASHER (Reduced OD).....	4	T6-210-17.....	X
11- TRANSITION PLATE ASSY.....	1	12407-10A030	X
12- POTTING - INSERTS (6-32)....	4	NAS1832-06-3	X
13- AIRFRAME OUTER DOUBLER..	1	12407-10A050-2	X
14- RIVET (Cherry Max).....	12	CR3212-4-2....	X
15- AIRFRAME INNER DOUBLER..	1	12407-10A050-1	X
16- RIVET (Cherry Max).....	8	CR3213-4-2....	X
17- RING TERMINAL.....	2	T6-260-09.....	X
18- RING TERMINAL.....	1	T6-260-09.....	X
19- JUMPER WIRE, GREEN.....	2'	T6-260-08.....	X
20- JUMPER WIRE, WHITE.....	2'	T6-260-08.....	X
21- HEAT SHRINK.....	1	T6-260-12.....	X
22- FERRULE.....	1	T6-260-10.....	X
23- FERRULE.....	1	T6-260-11.....	X
24- RING TERMINAL.....	1	T6-260-13.....	X
25- BREAKER (3/4 AMP).....	1	T6-260-04.....	X
26- WIRING HARNESS ASSY.....	1	12407-10A020.	X



The installation kit for Bell 407's are complete and provide all parts and materials required for field installations. The installation manual provides step by step instructions for hull modification and wiring harness intergration.

Epoxies, sealants and drilling guide templates are also provided to streamline the installation.