

*Paul A. Randazzo*

DWG No: T6-S76-L1-04

THIRD ANG PROJ:  
SCALE: NONE

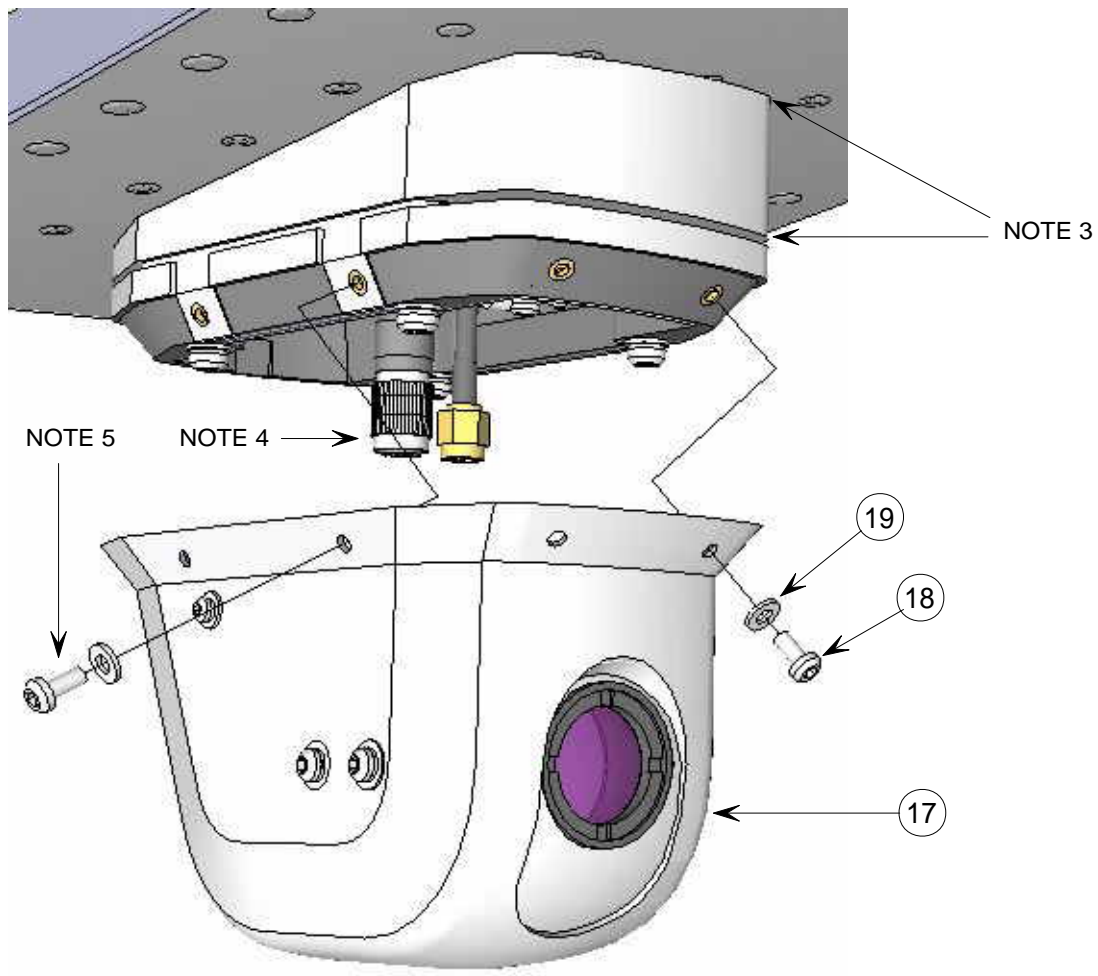


Approved Date 07-10-2016

Do Not Scale Drawing

REVISIONS

REV	DESCRIPTION	APR	DATE
A	INITIAL RELEASE	RA.R	07-10-2016



NOTES:

- 3- APPLY RTV SEALANT AROUND EXTENSION AND TRANSITION PLATE MATING SURFACES AFTER INSTALLATION.
- 4- CONNECT CPC AND SMA PLUGS TO CAMERA WITH NOMINAL TORQUE.
- 5- APPLY A TRACE AMOUNT OF LOW STRENGTH THREAD LOCKING COMPOUND TO 8 RETAINING SCREWS PRIOR TO CAMERA INSTALLATION.

**SIKORSKY  
S76A, S76B, S76C**

**INSTALLATION DRAWING**

CAD CHANGES SHALL BE INCORPORATED BY DESIGN ACTIVITY

ITEM	DESCRIPTION	TV P/N	SPECIFICATION	QTY
19	NYLON WASHER	T6-210-14	NYLON, 6/6	8
18	SCREW	T6-210-13	4-40 X 5/16, SS	8
17	CAMERA ASSY	T6-50205-B	12407-10A010-01	1

**TrueView EVS**  
www.trueviewevs.com  
Sackets Harbor, N.Y.

DFT: R. RANDAZZO

PROPRIETARY NOTICE: THE INFORMATION CONTAINED IN THIS DRAWING IS THE SOLE PROPERTY OF TrueView EVS LLC AND IS NOT TO BE USED, REPRODUCED OR DISCLOSED IN WHOLE OR IN PART TO ANYONE WITHOUT THE WRITTEN PERMISSION OF TrueView EVS LLC

SIZE A	CAGE NO:	DWG NO: T6-S76-L1-04	REV A
SCALE = NONE		SHEET 3 OF 3	